

## CONCRETE BUCKETS

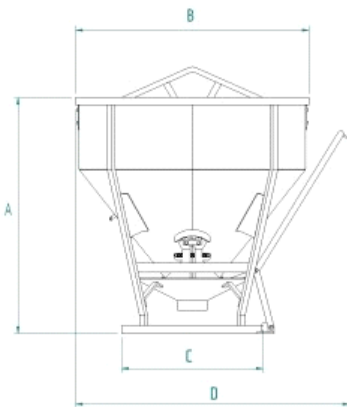
### Concrete skip with rubber hose

CT Model

**HARD WORK, NEAT JOB**

We offer our esteemed clients an exclusive range of concrete buckets with lever and rubber hose. With the **long flexible hose** (  $\varnothing$  200 mm – standard length 2 mt. / available in different lengths on demand) it's easier to pour concrete into columns, walls and formworks and to control the flow. These buckets are highly requested as they provide **smooth concrete placement** and they are designed using fine quality material. Our product guarantees stability and structural strength. These buckets present a discharge gate closed automatically by spring retractors with handle-lever and rope to open the gate. These products are manufactured with various capacities as listed below and can reach over 3000 l capacity on demand. The customer can require specific sizes for the batching plants.

All our concrete buckets are built to meet or exceed the regulations of EN, ASME and UNI and come with the required labels, certificates and user and maintenance manual. All our products are covered by a 1-year warranty (EU Directive).



MODEL	CAPACITY (Lt)	DIMENSIONS (mm)				CAPACITY (kg)	WEIGHT (kg)
		A	B	C	D		
CT-50	500	1250	1050	880	1200	1300	120
CT-80	800	1490	1250	930	1450	2080	175
CT-99	1000	1670	1250	930	1450	2600	215
CT-150	1500	2180	1250	930	1450	3900	245



**Boscaro srl**  
Via G. Cederle, 1 - 36020  
Campiglia dei Berici (Vicenza) Italy

Tel +39 0444 866520  
Fax +39 0444 866350  
P.IVA: 00672450244